

Budasensor Bar Light

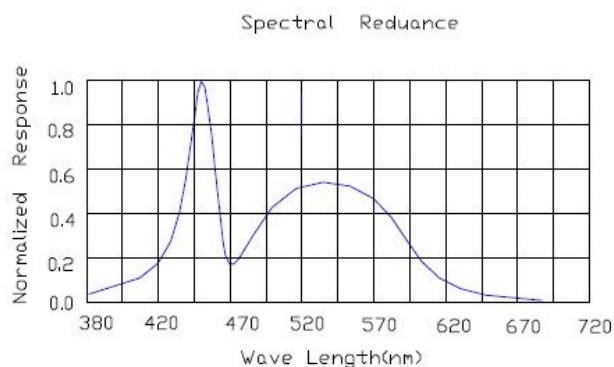
BS-BL86x45-**Y**-**XX**

High power LED lamp with strobe input

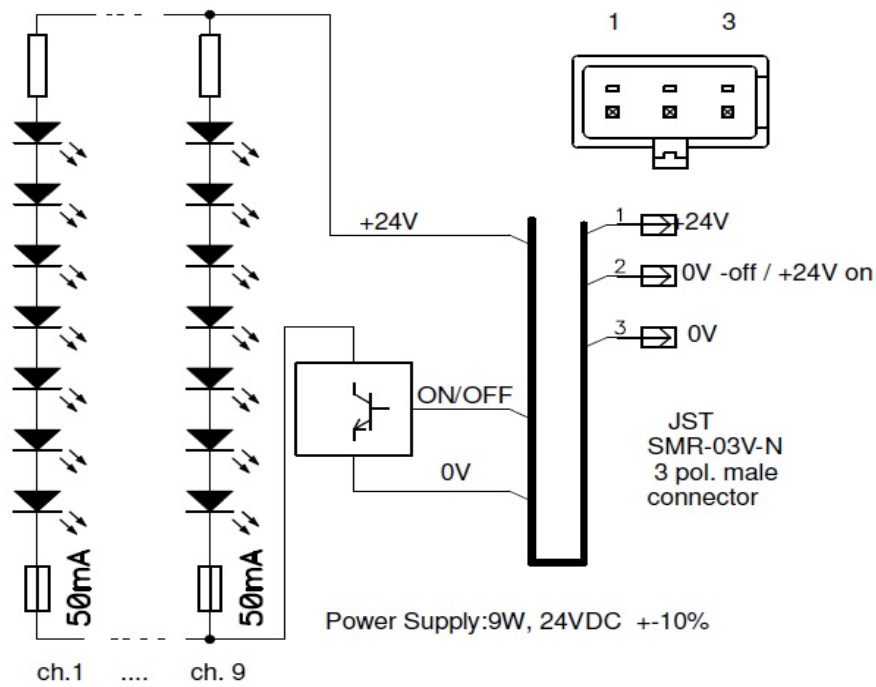


Technical details

Spectrum:	Cool WHITE 5500K	LED RADIATION DO NOT STARE INTO BEAM CLASS 2 LED PRODUCT
Working mode:	Strobe or continuous mode	
Power Supply:	9W, 24VDC +-10%	
Connector:	SMR-03V-N (JST), 3 pol.	
Operating Temperature Range:	0...40°C	
Body material:	Aluminium	
Lighting surface material (Y):	D iffuse plexiglass, P lexiglass, (E SD)	
Weight:	170 g	
IP protection:	IP64	
Thermal shutdown protection:	On integrated driver circuit	
Cooling method:	Natural air cooling. For continuous mode, optional cooler must be installed on rear side.	
Conformed standards:	CE	
Available colors (XX):	Cool White(CW), Neutral White(NW), Red(RD), Blue(BL), Green(GR)	



Connection diagram



Mechanical drawings

