

# Budasensor Power Bar Light

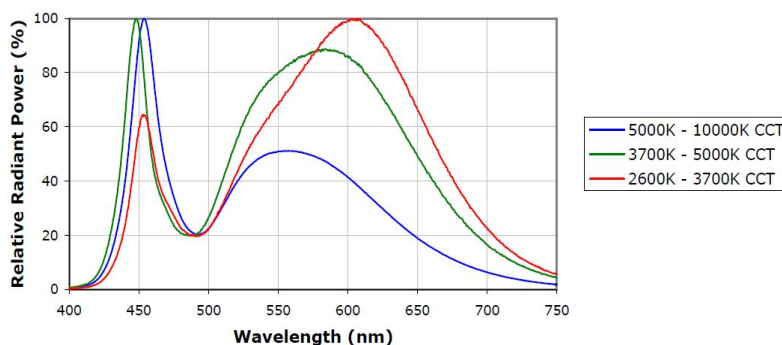
## ZS20ST-8Y-192-38-XX

High power LED lamp with optocoupled strobe input

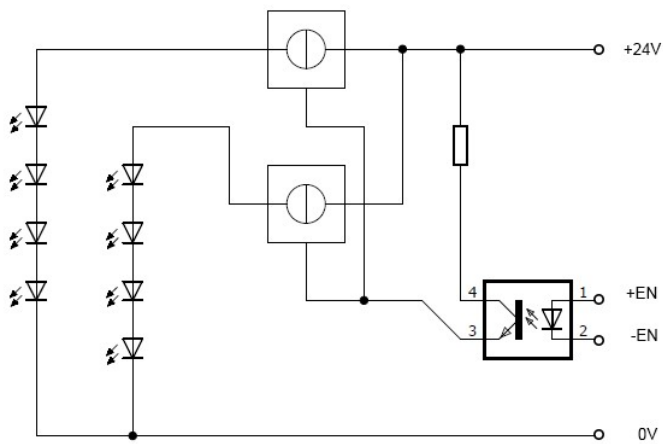


### Technical details

Spectrum:	Neutral White 3700K
Working mode:	Strobe or continuous mode
Power Supply:	18W, 24VDC +/-10%
Connector:	M12, male, 4 pol.
Operating Temperature Range:	0...40°C
Body material:	Aluminium
Lighting surface material (Y):	Diffuse plexiglass, Plexiglass (ESD) or Lens
Weight:	376 g
IP protection:	IP64
Thermal shutdown protection:	On integrated driver circuit
Cooling method:	Natural air cooling. For continuous mode, optional cooler boards must be installed on rear side.
Conformed standards:	CE
Available colors (XX):	Neutral White (NW), Red(RD), Blue(BL), Green(GR), UltraViolet(UV), IntraRed(IR)



### Connection diagram



Lamp is ON, when 24 VDC is applied between -EN and +EN

### Mechanical drawings

